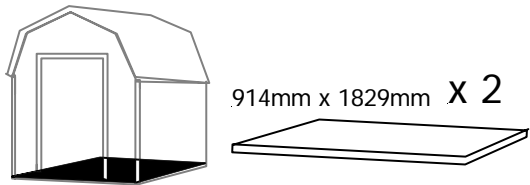
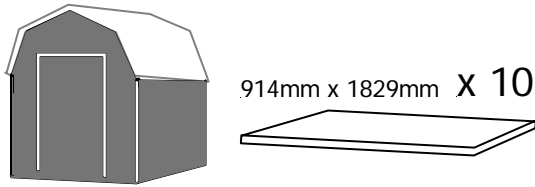
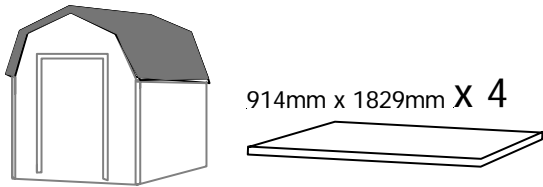
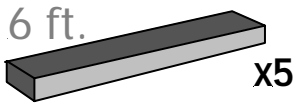
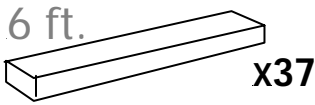
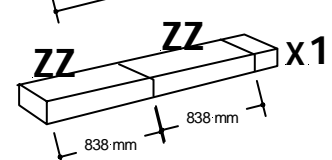
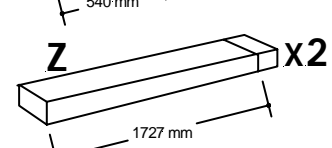
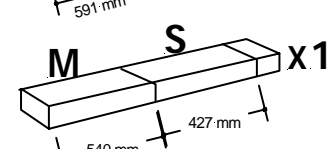
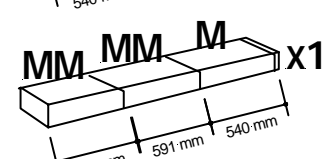
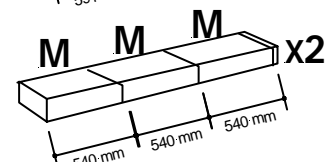
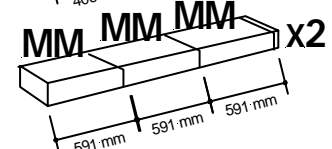
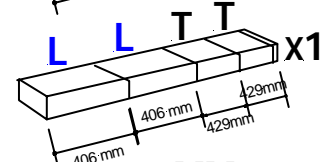
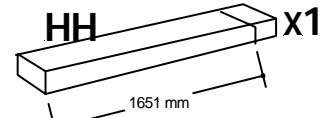
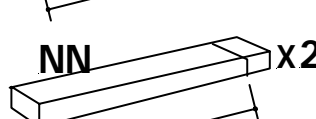
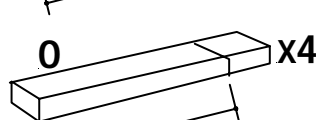
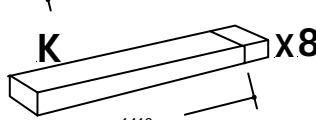
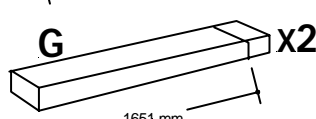
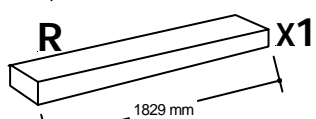
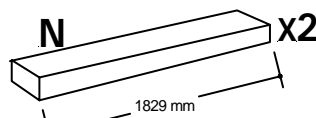
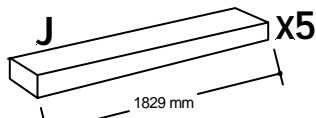
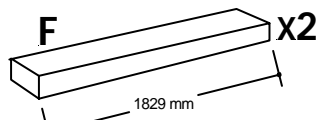
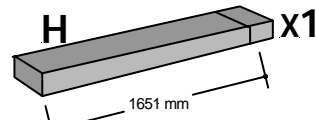
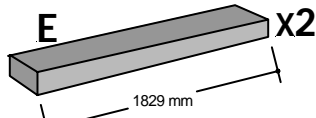
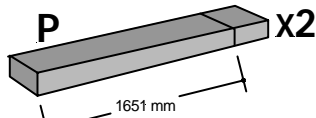


6' x 6' Barn Lumber Cuts Japanese



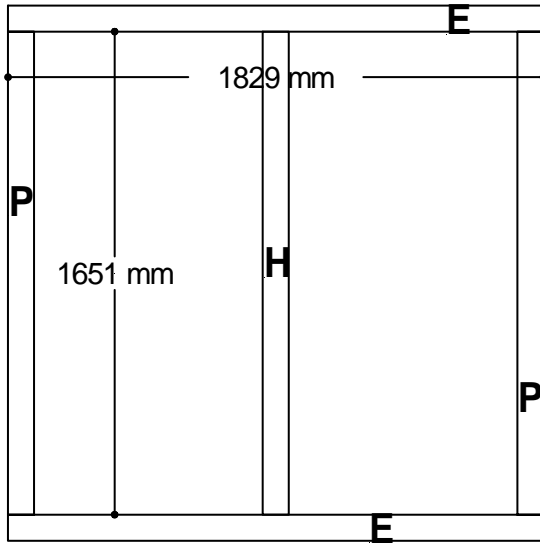
6 ft.

381mm x 89mm x 1829mm

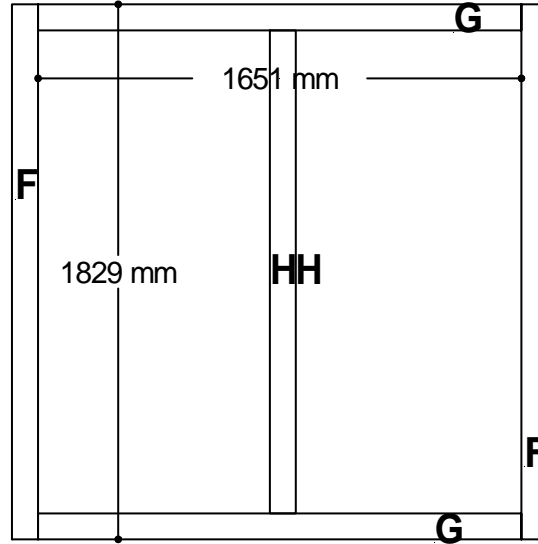


6' x 6' Floor Layout Japanese

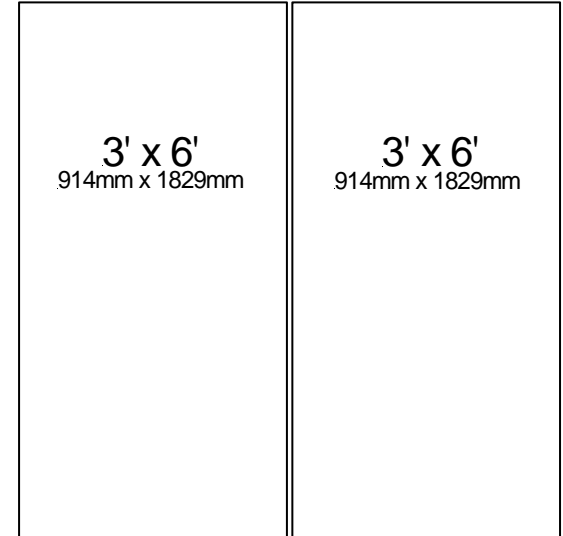
Bottom Floor Plan



Top Floor Plan

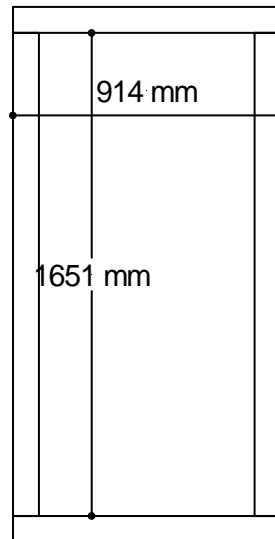


Sheet Floor Plan

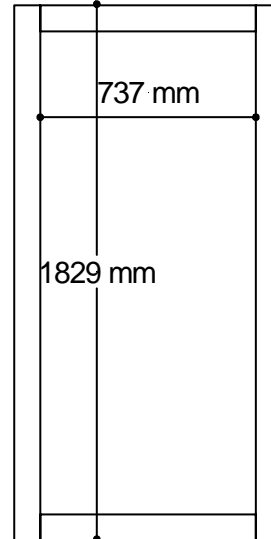


3' x 6' Floor Layout Japanese

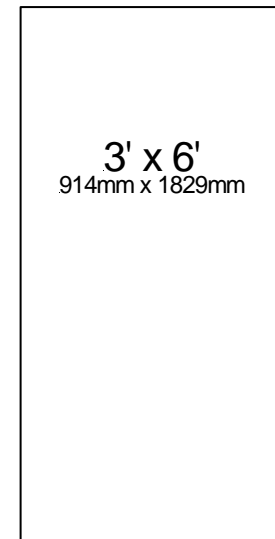
Bottom Floor Plan



Top Floor Plan

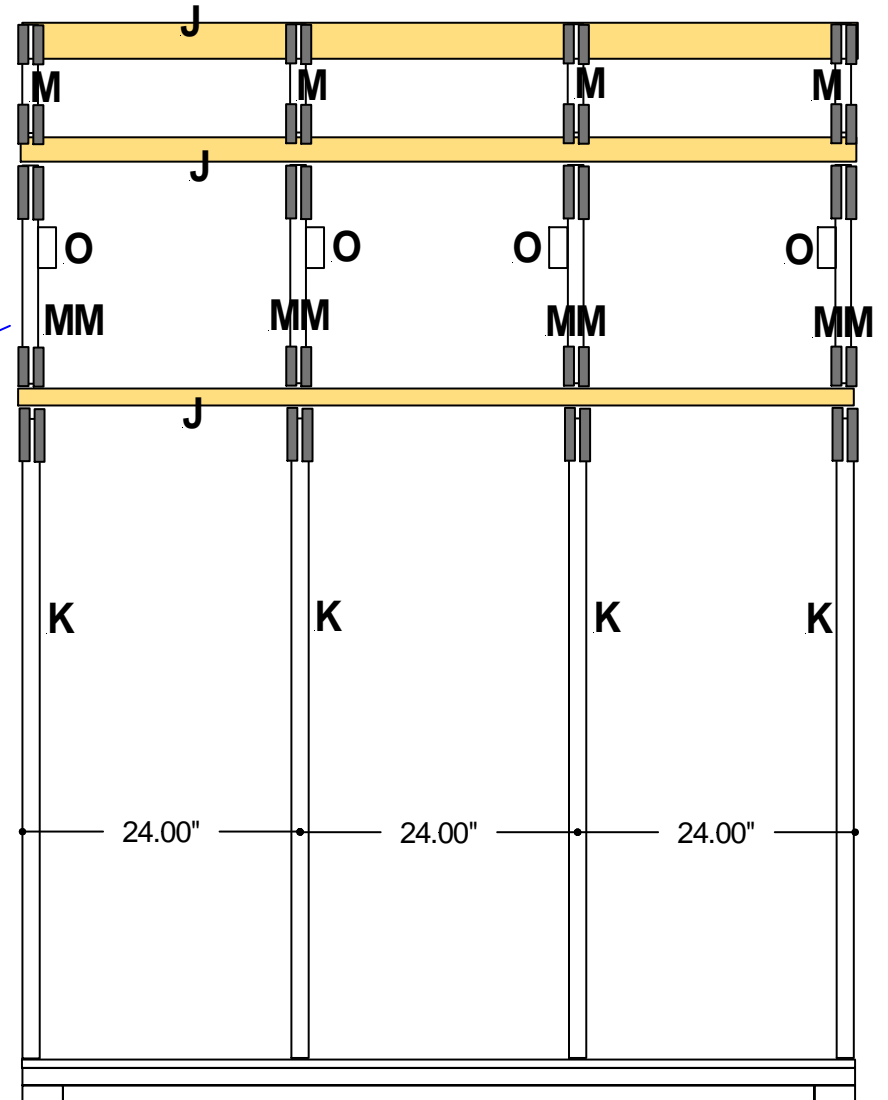
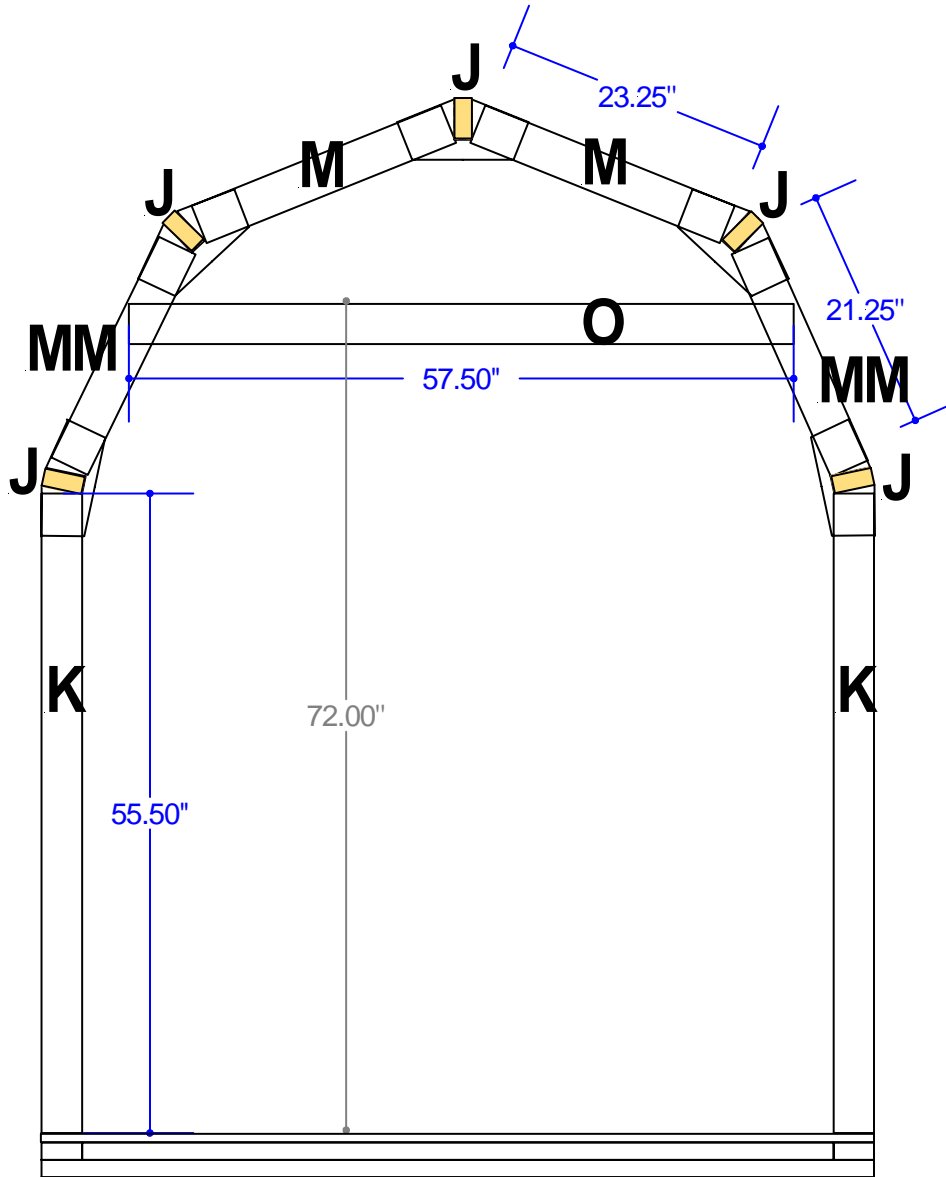


Sheet Floor Plan



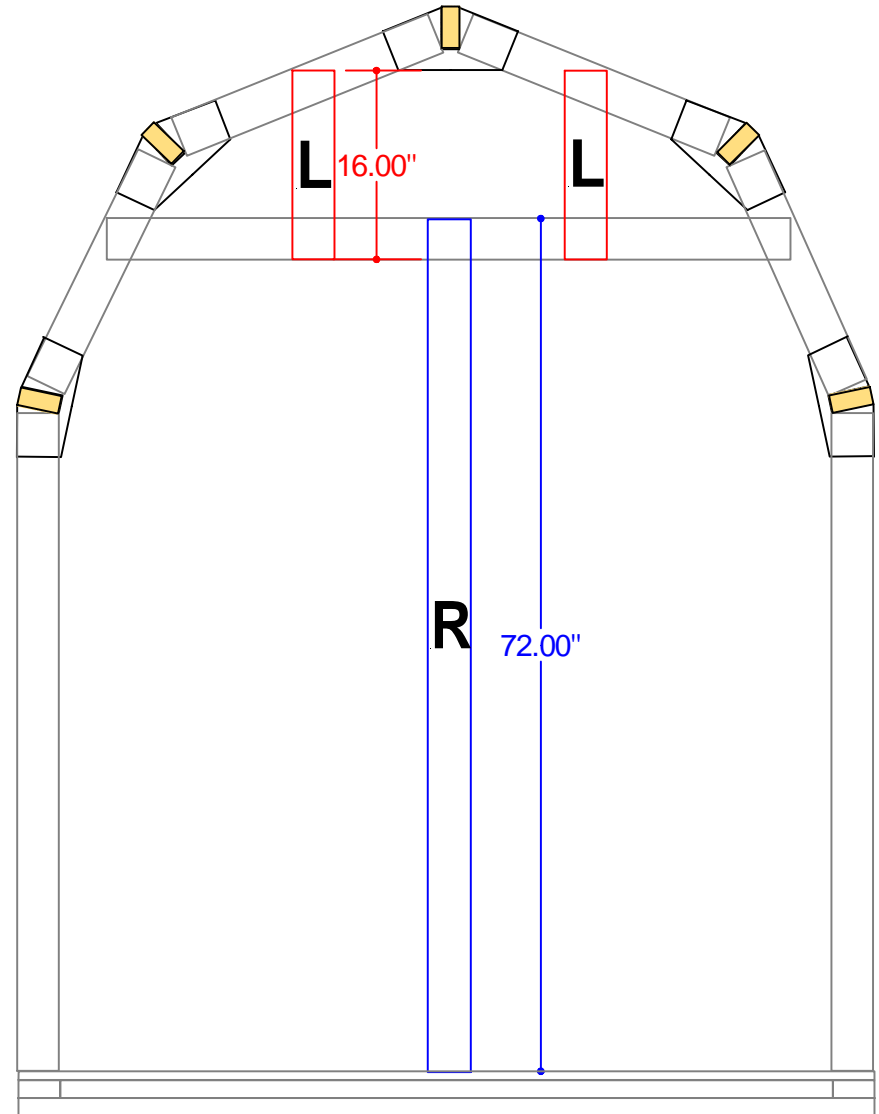
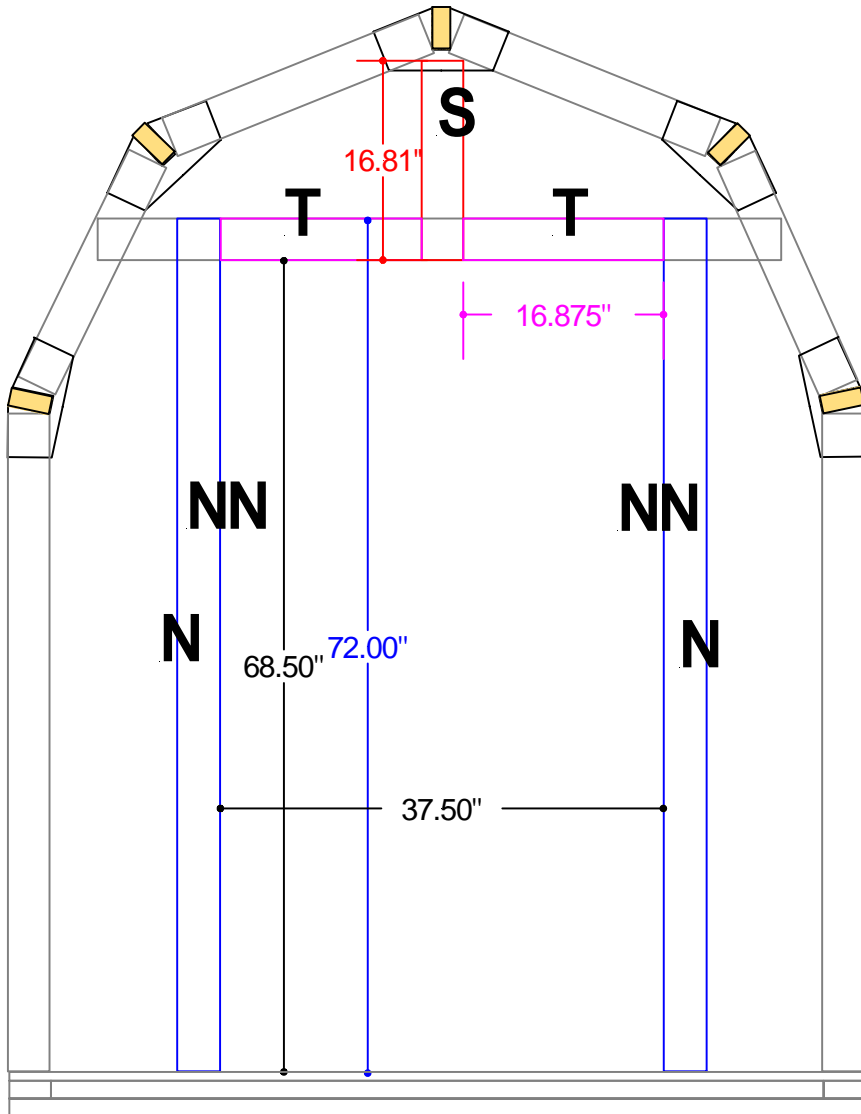
Barn 6x6 Frame/Truss Construction

- 8 pcs. @ 55.50" / 1410 mm (K)
- 8 pcs. @ 21.25" / 540 mm (M)
- 8 pcs. @ 23.25" / 591 mm (MM)
- 4 pcs. @ 57.50" / 1461 mm (O)
- 5 pcs. @ 72.00" / 1829 mm (J)

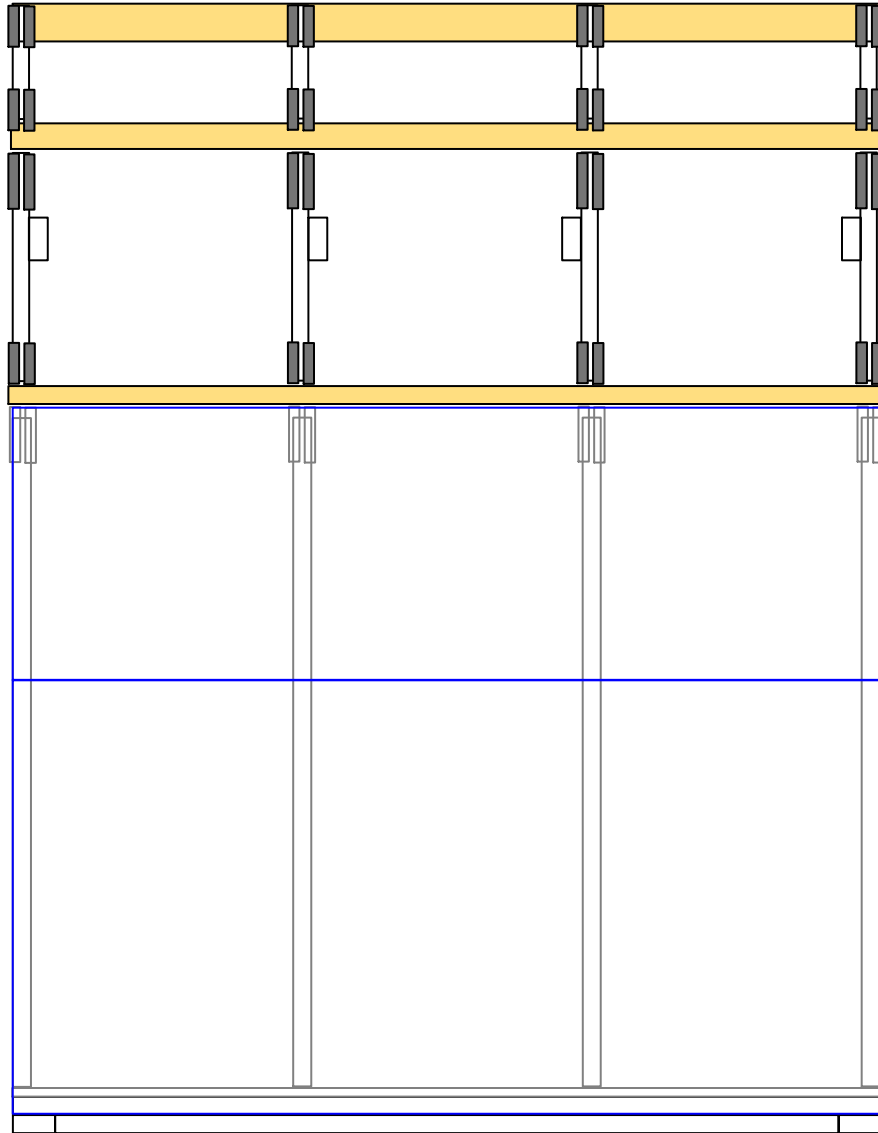


Barn 6x6 Front Back Wall Construction

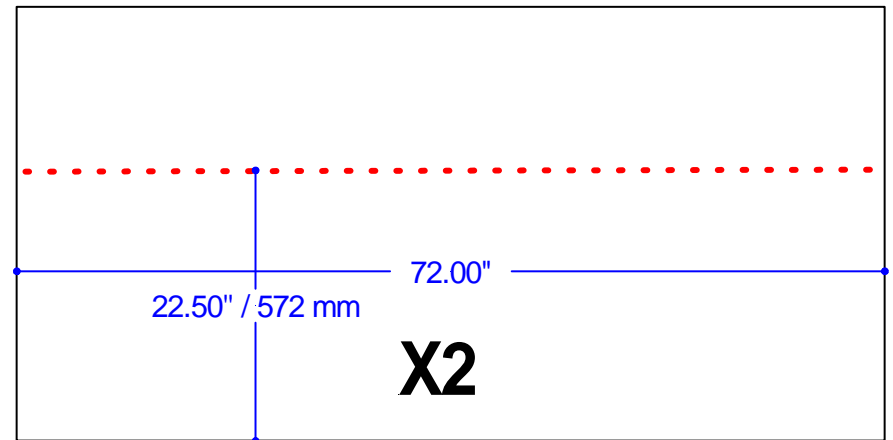
- 2 pcs. @ 72.00" / 1829 mm (N)
- 2 pcs. @ 68.50" / 1740 mm (NN)
- 2 pcs. @ 16.875" / 429 mm (T)
- 1 pcs. @ 16.81" / 427 mm (S)
- 1 pcs. @ 72.00" / 1829 mm (R)
- 2 pcs. @ 16.00" / 406 mm (L)



Barn 6x6 SideWall Sheet Layout

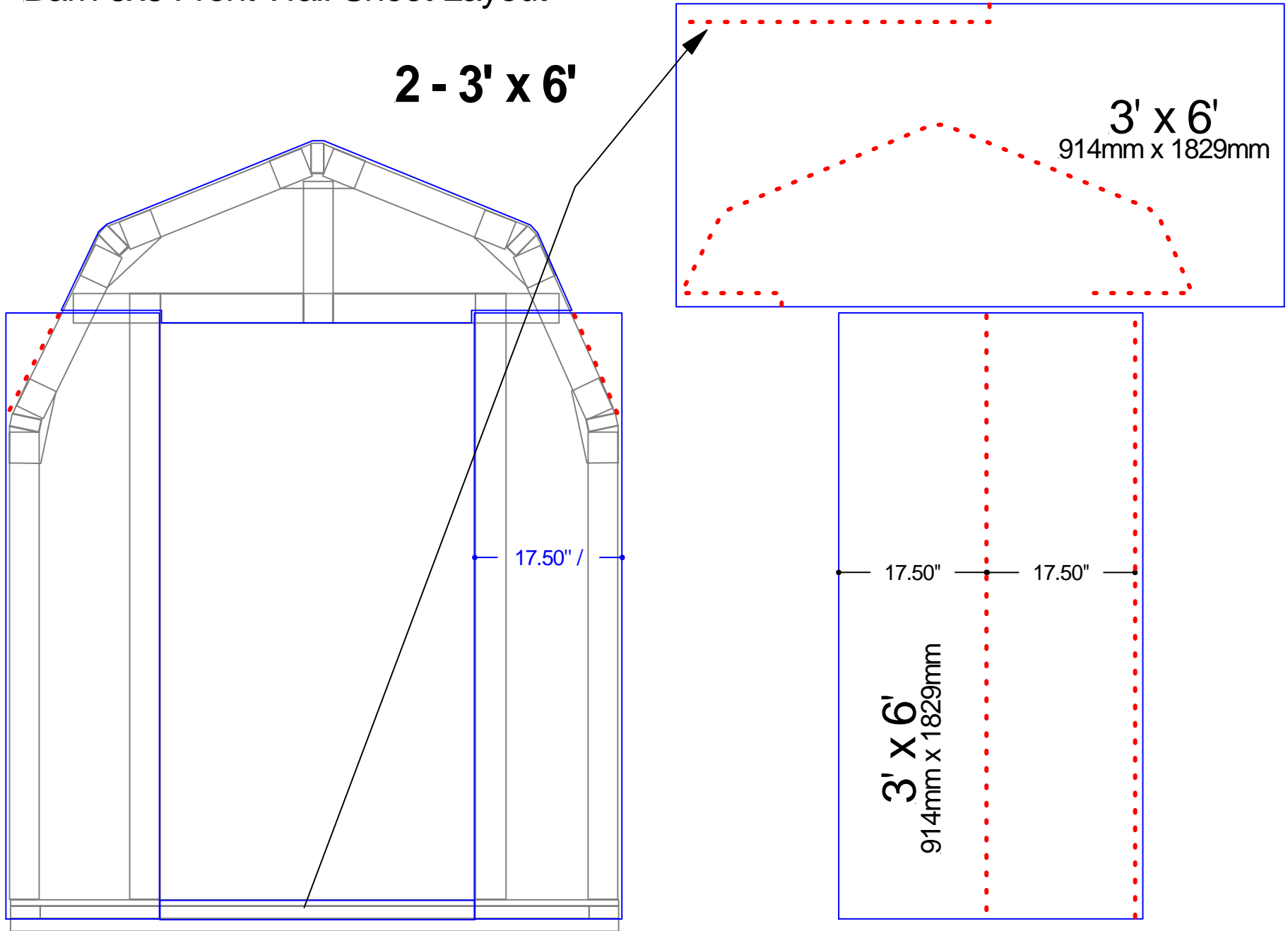


4 pcs. - 3' x 6'



3' x 6'
914mm x 1829mm
X2

Barn 6x6 Front Wall Sheet Layout



2 - 3' x 6'

3' x 6'
914mm x 1829mm

17.50" /

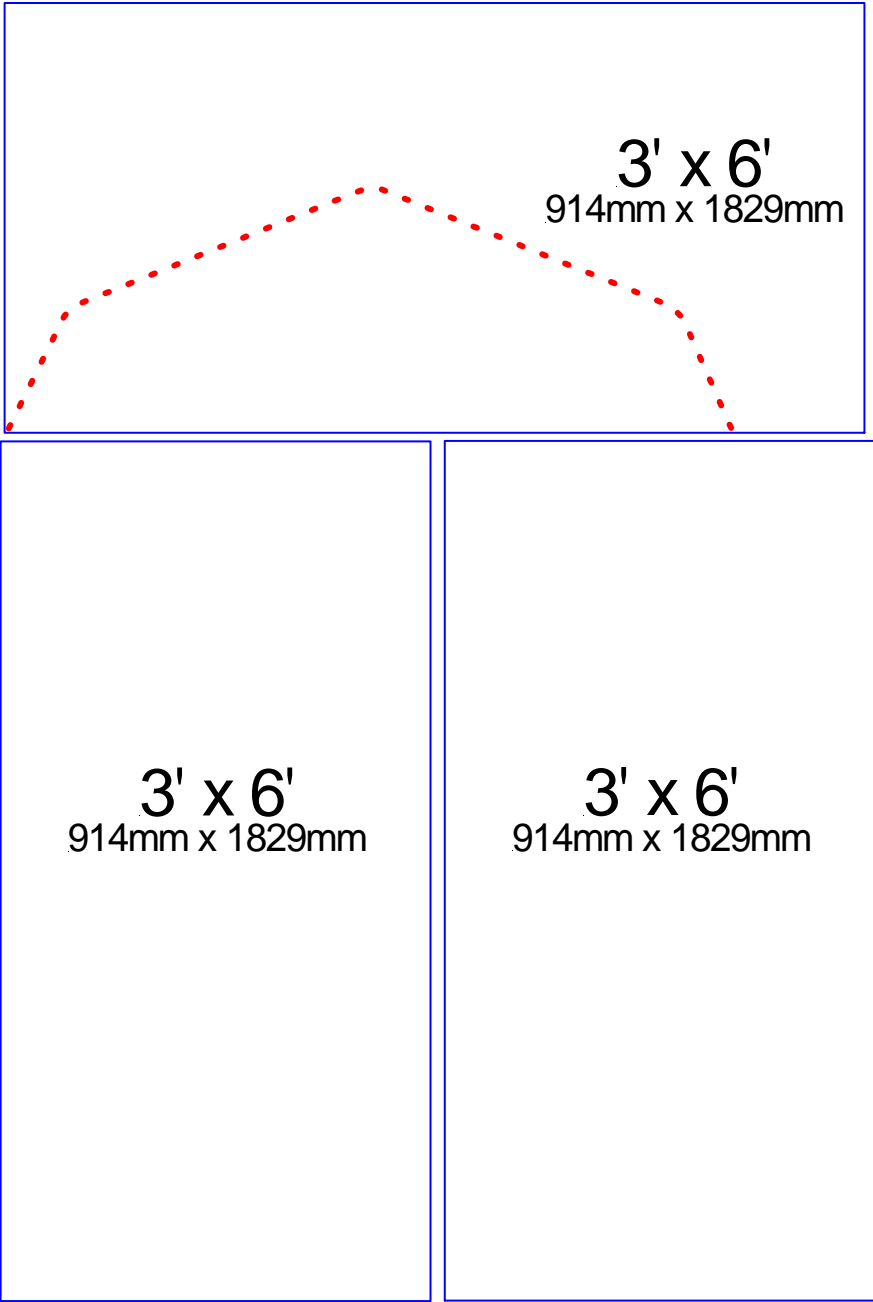
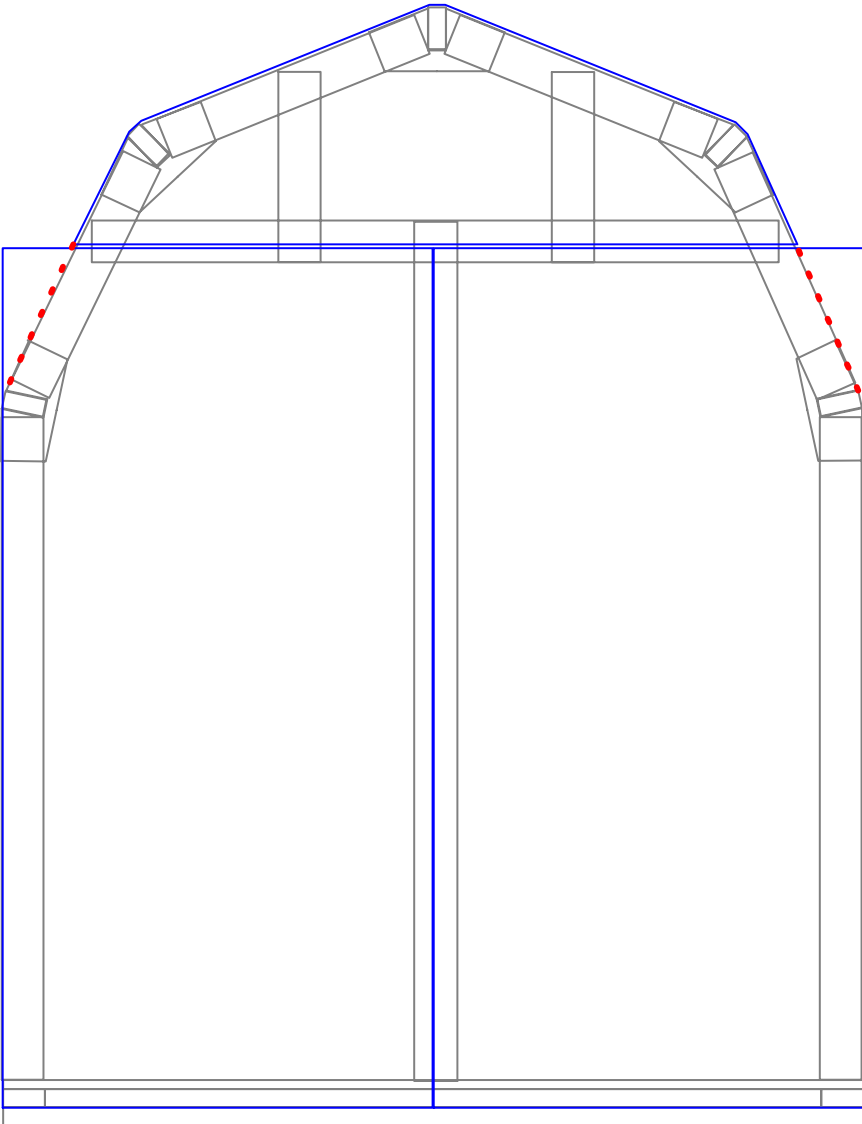
17.50"

17.50"

3' x 6'
914mm x 1829mm

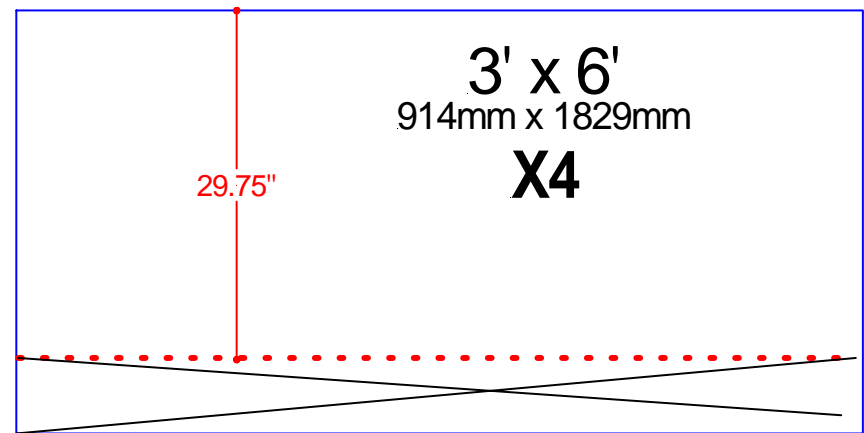
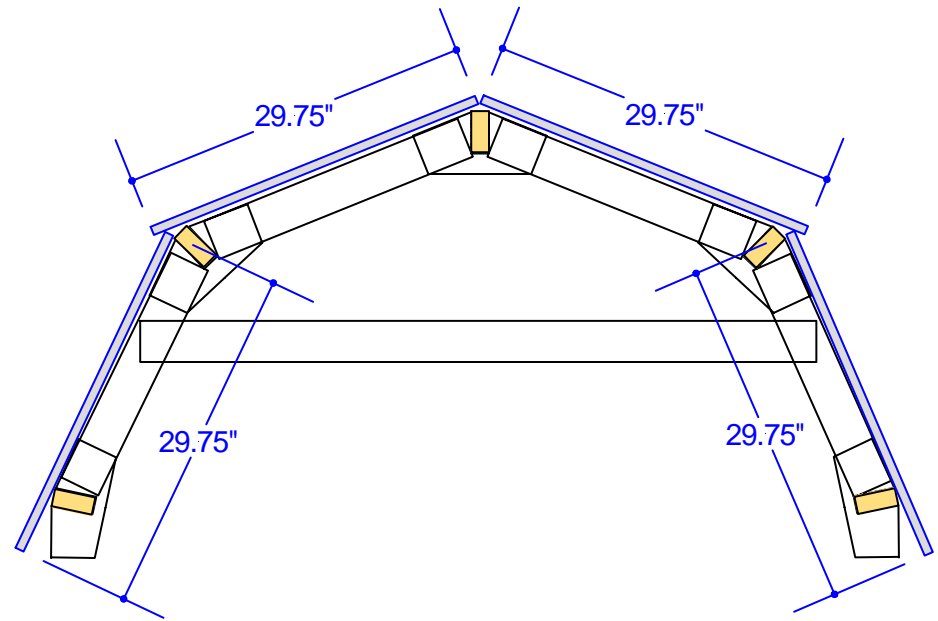
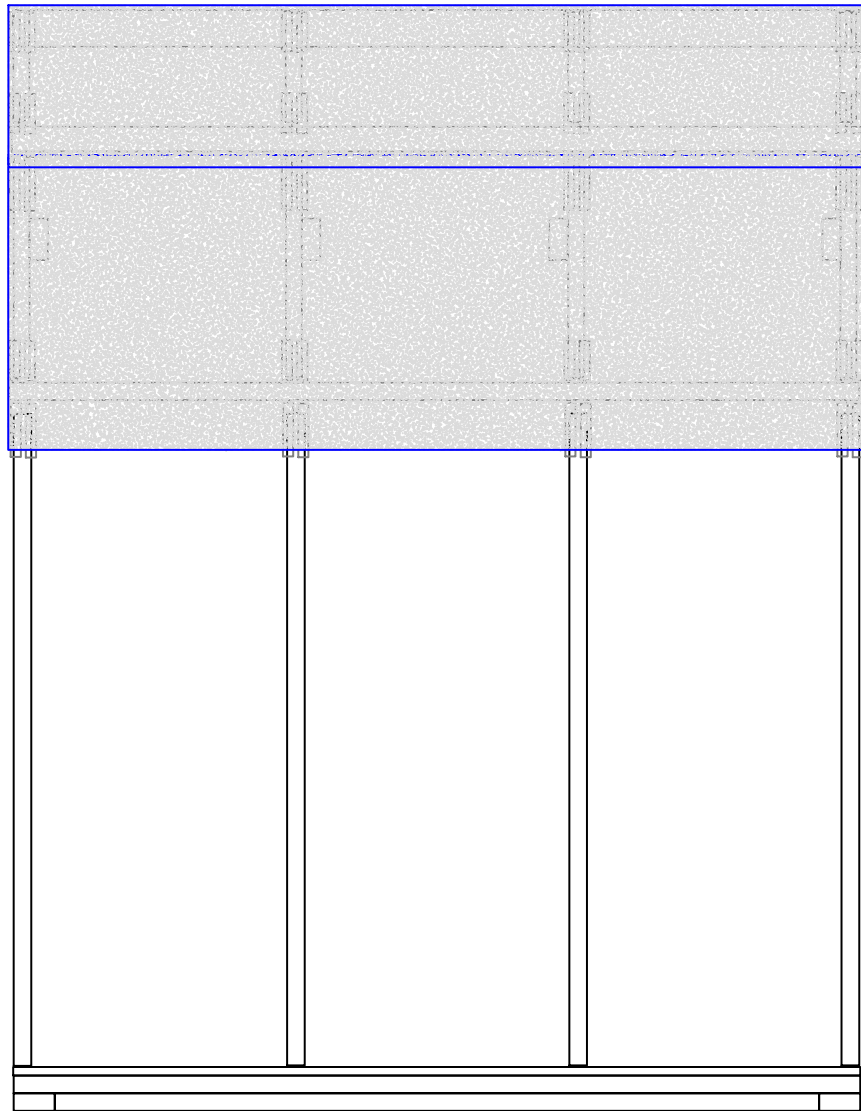
Barn 6x6 Back Wall Sheet Layout

3 - 3' x 6'



Barn 6x6 Roof Sheet Layout

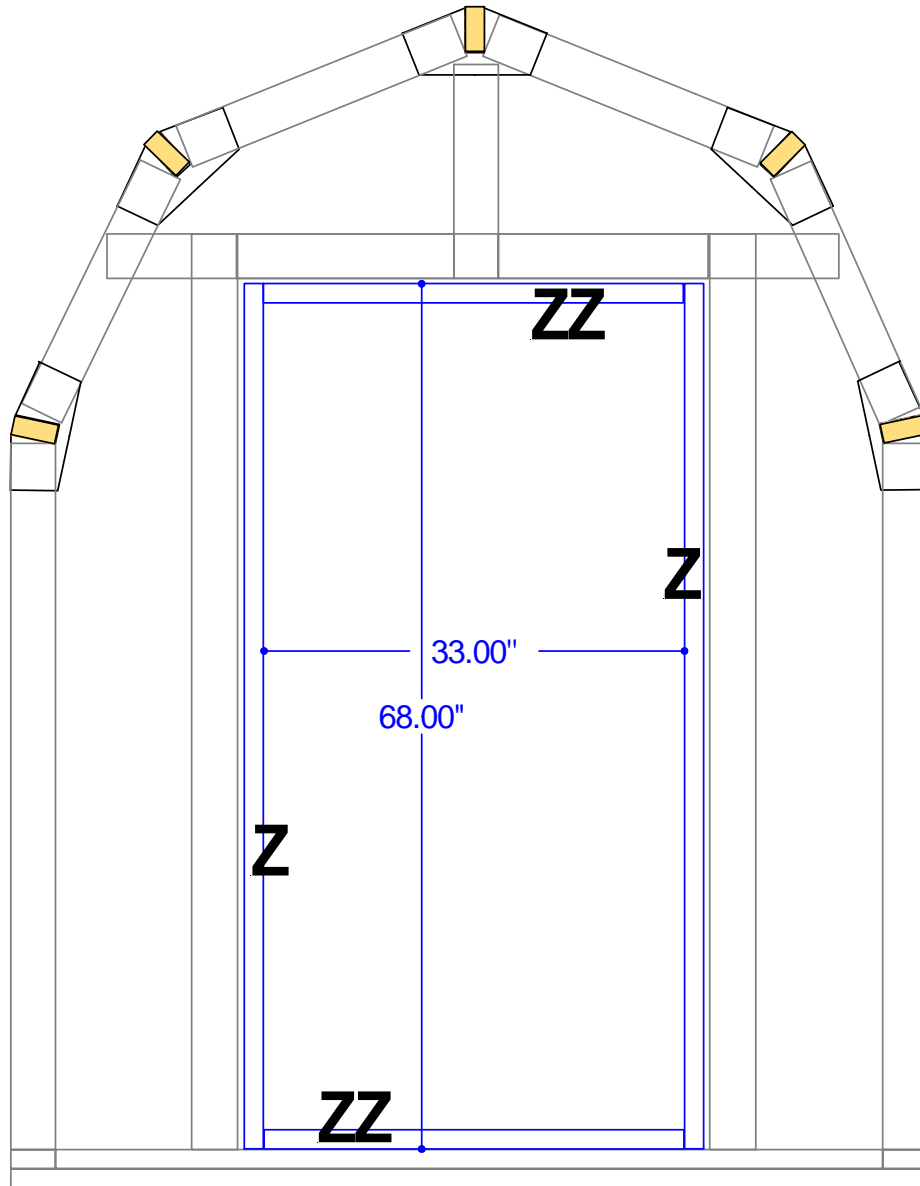
4 - 3' x 6'



Barn 6x6 Door Construction

2 pcs. @ 33.00" / 838 mm (**ZZ**)

2 pcs. @ 68.00" / 1727 mm (**Z**)



1 - 3x6 Sheet

3' x 6'
914mm x 1829mm

